

# CUSTOM SHEETING

**A CUSTOM SIZE MAKES PERFECT SENSE.**

Save money with the optimal paper dimensions for each job layout.



**C1S LABEL**

**SBS**

**CLAY COATED NEWSBACK**

## FEATURES

- Deep inventory
- Complete Graphical Packaging Offering
- Multiple Sheeting Locations
- Exceptional Quality
- Custom Sheet Sizes
- Chain-of-Custody Certification Programs
- Press Ready Skids
- Grand Format Sheets
- SBS Paperboards
- Clay Coated Newsback
- C1S Litho Label

## BENEFITS

- Always available.
- Confidence & convenience of complementary products: coated label for high graphics laminations to single wall corrugated; two grades of solid bleached sulfate for folding cartons; clay coated newsback for commodity folding cartons; and digital sheeting capabilities for short run jobs.
- Shared inventories and back-up sheeting capacity so that you can rely on our service performance all the time.
- Our state-of-the-art sheeters and a fourteen step quality assurance process assure that you get a mill-quality clean-cut every time.
- Instead of limiting our customers to standard stock sheet sizes, our sheeter roll inventory allows you to order sheet sizes to the exact dimensions that your job layout requires. No more trim waste and no more paying for unused paper.
- Spicers Paper is FSC, PEFC and SFI chain of custody certified for when your customers want packaging and collateral systems with maximum environmental benefits.
- We make our own skids with high quality lumber. Sheets are stacked to the edge of the skid deck so that you can load the paper directly on the printing press, saving time and money.
- Spicers Los Angeles has grand format sheeting capability up to 60" x 90" for paperboard sheets for grand format flatbed inkjet and lithographic presses.
- Meadwestvaco Tango C1S and C2S matches our stock size carton offering, as well as a matching Tango Digital grade for short run jobs. Tango High Bright for a brighter, whiter sheet for high end jobs in 18 pt and 24 pt. Clearwater Candescence C1S for folding carton applications from 14 pt to 24 pt calipers.
- Avalon is our 100% recycled paperboard private label for economical folding cartons. Available from 11.6 pt to 27.5 pt calipers.
- Pacesetter C1S Label and Appleton C1S Label for cut-and-stack can labels and high graphics lamination to single wall corrugated sheets. Available in 80 lb. basis.

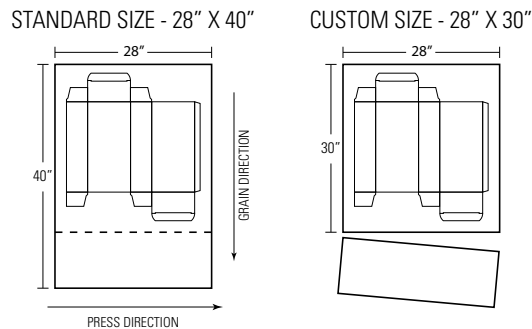
# PAPER FACTS

MILL/BRAND	BRIGHTNESS	GRADE TYPE	QUALITIES	CALIPER/ BASIS	COMMERCIAL PRINT APPLICATIONS	PACKAGING APPLICATIONS
CLEARWATER PAPER Candesce C1S	88	SBS	<ul style="list-style-type: none"> <li>OBA Free</li> <li>FSC and SFI Certified</li> <li>FDA approved for dry and wet food contact</li> </ul>	14, 16, 18, 20, 24 PT	Book Covers, Direct Mail, Greeting Cards, Presentation Folders and POP Displays	Top Sheet Lithographic Print and Lamination to Single-Face Corrugated for High Graphics, Corrugated Boxes, Folding Cartons For Dry and Frozen Food, Candy and Bakery, Electronics, Health and Beauty Products and Pharmaceuticals.
MEADWESTVACO Tango C1S	92	SBS	<ul style="list-style-type: none"> <li>High Brightness</li> <li>Ultra Smooth</li> <li>SFI Certified</li> <li>FDA approved for dry contact only</li> </ul>	18, 24 PT	Brochures, Direct Mail, Store Signage, Presentation Folders and POP Displays	High-End Folding Cartons for Cosmetics, Pharmaceuticals, Electronics, Liquors, Gourmet Foods and Specialty Applications.
MEADWESTVACO Custom Kote CNK	78	CUK	<ul style="list-style-type: none"> <li>Strength</li> <li>SFI Certified</li> <li>FDA approved for dry and wet food contact</li> </ul>	18, 20, 24, 28 PT		Folding Cartons for Dry Food and Frozen Food.
SPICERS PAPER Avalon CCNB	76	CCNB	<ul style="list-style-type: none"> <li>100% Recycled</li> <li>Minimum 75% PCW</li> <li>FSC Certified Available</li> </ul>	11.6, 13.5, 15.5, 17.5, 19.5, 23.5, 27.5 PT		Folding Cartons for Dry Food, Electronics and Retail Products.
APPLETON COATED C1S Label	90	C1S Label	<ul style="list-style-type: none"> <li>FSC Certified</li> <li>SFI Certified</li> </ul>	80 LB		Can Labels, Box Wraps, Lithographic Print and Lamination to Singlewall Corrugated for High Graphics Corrugated Boxes.

## CUSTOM SHEETING SAVES YOU MONEY BY BUYING LESS PAPER!

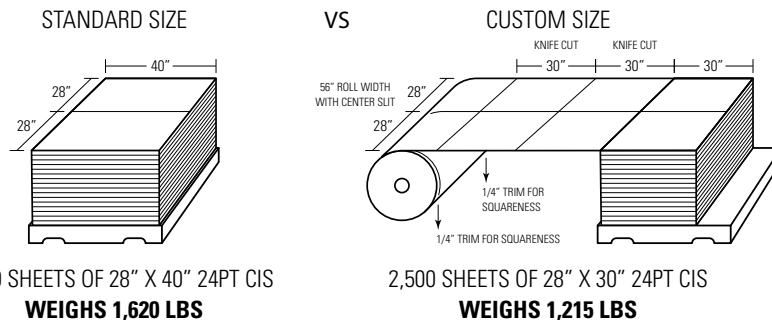
Say you want to print a reverse tuck folding carton on 24pt SBS CIS Cover. Due to the carton layout, you'd normally use a stock sheet size of 28" x 40".

**BUT IMAGINE IF YOU WOULD MOVE FROM THE STANDARD 28" X 40" SHEET SIZE TO A CUSTOM SHEET SIZE OF 28" X 30"**



28" X 40" STANDARD SIZE  
 - 28" X 30" CUSTOM SIZE  
**10" SAVINGS**

### HOW IT WORKS



**YOU SAVE 405 LBS OF PAPER!**



**SPICERS PAPER**

A Member of Central National-Gottesman Inc.

[WWW.SPICERS.COM](http://WWW.SPICERS.COM)

© 2013 Spicers Paper SW 9/2013

Printed on Tango 10pt C2S

